

Type: Semi-hermetic piston compressors

Producer: Copeland

Series: DISCUS

Model: D4DA-2000

Technical data

Cylinder count:	4
Displacement [m ³ /h]:	56
Weight [kg]:	212
Oil charge [dm ³]:	3,6
Max. operating current [A]:	32
Locked rotor current [A]:	160
Power supply [V/~/Hz]:	380-420V/3/50Hz

Connections

	<u>milimeters</u>	<u>inches</u>
Suction line:		1 5/8"
Discharge line:		1 1/8"

R22

Cooling capacity [kW]

t_c \ t_e	-25	-20	-15	-10	-5	0	5	10
30	18.18	22.97	28.58	35.13	42.76	51.58	61.72	73.31
35	16.90	21.54	26.94	33.22	40.51	48.93	58.61	69.68
40	15.59	20.08	25.27	31.27	38.22	46.24	55.45	65.99
45	-	18.60	23.56	29.28	35.89	43.50	52.24	62.25
50	-	17.10	21.84	27.27	33.52	40.72	48.99	58.45
55	-	-	20.10	25.23	31.13	37.91	45.69	54.61
60	-	-	18.34	23.18	28.71	35.06	42.36	50.73

Power input [kW]

t_c \ t_e	-25	-20	-15	-10	-5	0	5	10
30	6.97	7.67	8.30	8.83	9.21	9.42	9.43	9.20
35	7.37	8.18	8.93	9.59	10.13	10.51	10.70	10.66
40	7.75	8.66	9.53	10.32	11.00	11.54	11.91	12.07
45	-	9.11	10.08	11.00	11.82	12.52	13.06	13.42
50	-	9.52	10.60	11.64	12.60	13.45	14.16	14.70
55	-	-	11.07	12.23	13.32	14.32	15.20	15.92
60	-	-	11.51	12.78	14.00	15.14	16.18	17.07

Current [A]

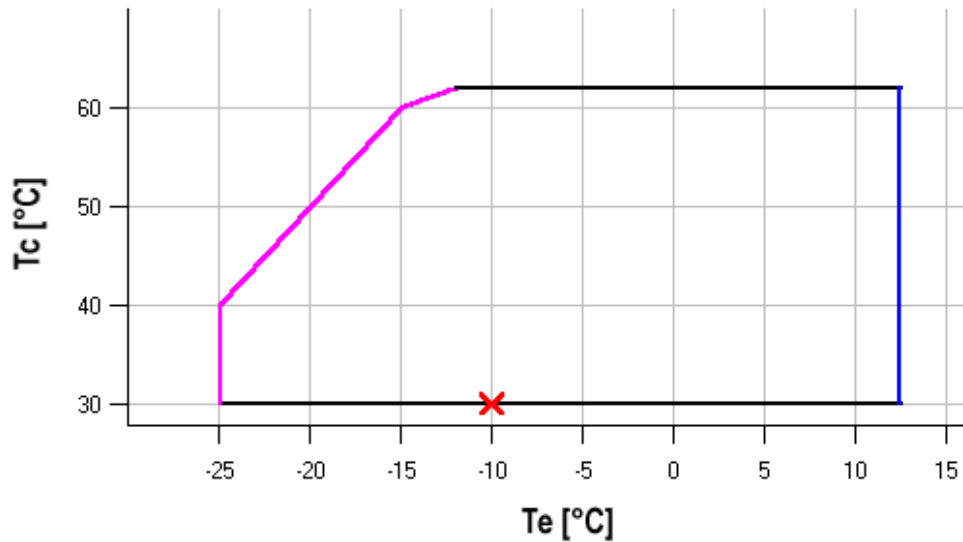
t_c \ t_e	-25	-20	-15	-10	-5	0	5	10
30	15.83	16.78	17.64	18.37	18.91	19.21	19.22	18.88
35	16.37	17.48	18.52	19.44	20.20	20.75	21.03	20.98
40	16.88	18.14	19.35	20.48	21.46	22.24	22.78	23.03
45	-	18.76	20.15	21.46	22.66	23.68	24.48	25.00
50	-	19.34	20.89	22.39	23.80	25.05	26.11	26.91
55	-	-	21.57	23.26	24.87	26.35	27.66	28.74
60	-	-	22.19	24.06	25.87	27.58	29.13	30.48

Mass flow [kg/s]

t_c \ t_e	-25	-20	-15	-10	-5	0	5	10
30	346.24	441.55	551.79	680.92	832.88	1 011.62	1 221.09	1 465.24
35	333.42	428.55	538.29	666.60	817.42	994.69	1 202.38	1 444.42
40	319.67	414.47	523.57	650.91	800.43	976.09	1 181.83	1 421.61
45	-	399.33	507.63	633.84	781.92	955.81	1 159.47	1 396.84
50	-	383.12	490.47	615.41	761.90	933.87	1 135.29	1 370.10
55	-	-	472.10	595.62	740.36	910.27	1 109.30	1 341.40
60	-	-	452.53	574.48	717.33	885.02	1 081.51	1 310.75

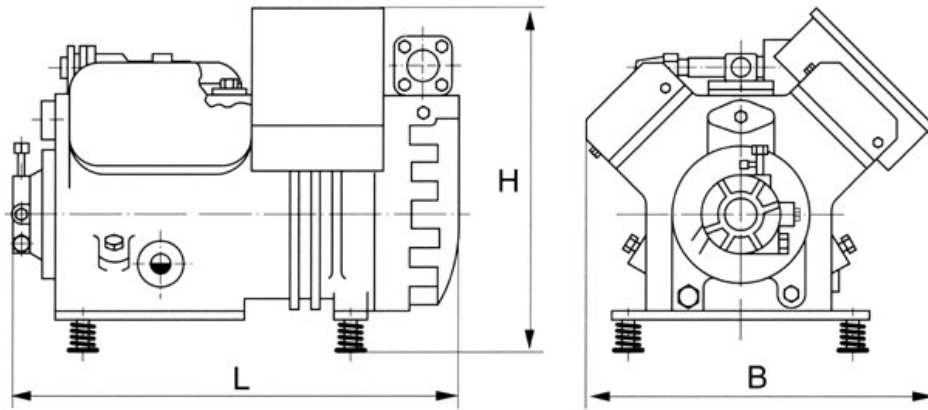
C.O.P. [W/W]

$t_c \setminus t_e$	-25	-20	-15	-10	-5	0	5	10
30	2.61	2.99	3.44	3.98	4.64	5.47	6.55	7.97
35	2.29	2.63	3.02	3.46	4.00	4.66	5.48	6.53
40	2.01	2.32	2.65	3.03	3.47	4.01	4.66	5.47
45	-	2.04	2.34	2.66	3.04	3.47	4.00	4.64
50	-	1.80	2.06	2.34	2.66	3.03	3.46	3.98
55	-	-	1.81	2.06	2.34	2.65	3.01	3.43
60	-	-	1.59	1.81	2.05	2.32	2.62	2.97

Application range


- Maximum evaporating temperature
- 25°C suction gas return

Operating conditions: ISO; subcooling: 0 K, suction superheat: 10 K, return gas temperature: -
 t_c - Condensing temperature [°C]
 t_e - Evaporating temperature [°C]



L	650 mm
B	535 mm
H	495 mm

